

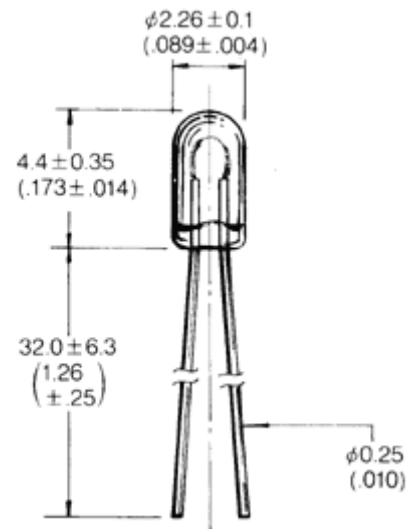
Wire Terminal

T-3/4 Wire Terminal Standard Bulb Length

Line Nos.	Oshino Lamp Numbers	Design Volts	Design Amps	AVG. MSCd	Filament shape	Life (hours)
1	OL-2404	5.0	.02	.02	CC-6	20,000
2	OL-2400	5.0	.021	.034	CC-6	10,000
3	OL-2426	5.0	.03	.03	C-2R	16,000
4	OL-2415	5.0	.04	.025	C-2R	50,000
5	OL-6803	5.0	.06	.03	C-2R	200,000
6	OL-6803AS15	5.0	.06	.03	C-2R	200,000
7	OL-6833	5.0	.06	.05	C-2R	100,000
8	OL-6833AS15	5.0	.06	.05	C-2R	100,000
9	OL-2436	5.0	.06	.15	C-2R	5,000
10	OL-7133	5.0	.075	.09	C-2R	40,000
11	OL-7133AS15	5.0	.075	.09	C-2R	40,000
12	OL-7153	5.0	.115	.15	C-2R	40,000
13	OL-7153AS15	5.0	.115	.15	C-2R	40,000
14	OL-2449	5.0	.115	.20	C-2R	5,000

Lamp Design Characteristics

Unit in mm
(inch)



Copyright © 2006 OSHINO LAMPS LIMITED All Rights Reserved.

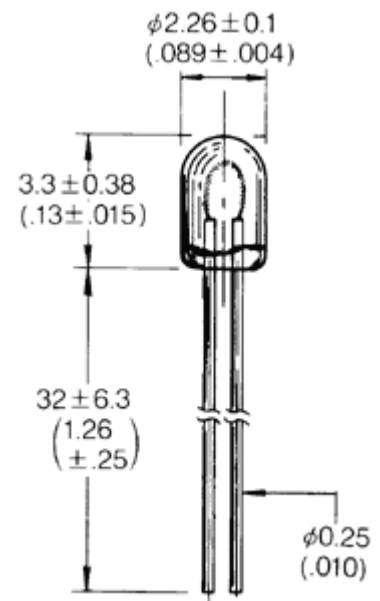
Wire Terminal

T-3/4 Wire Terminal Short Bulb Length

Line Nos.	Oshino Lamp Numbers	Design Volts	Design Amps	AVG. MSCd	Filament shape	Life (hours)
15	OL-24042	5.0	.02	.02	CC-6	20,000
16	OL-68332	5.0	.06	.05	C-2R	100,000
17	OL-68332AS15	5.0	.06	.05	C-2R	100,000
18	OL-24362	5.0	.06	.15	C-2R	5,000
19	OL-71332	5.0	.075	.09	C-2R	40,000
20	OL-71332AS15	5.0	.075	.09	C-2R	40,000
21	OL-71532	5.0	.115	.15	C-2R	40,000
22	OL-71532AS15	5.0	.115	.15	C-2R	40,000

Lamp Design Characteristics

Unit in mm
(inch)



Copyright © 2006 OSHINO LAMPS LIMITED All Rights Reserved.

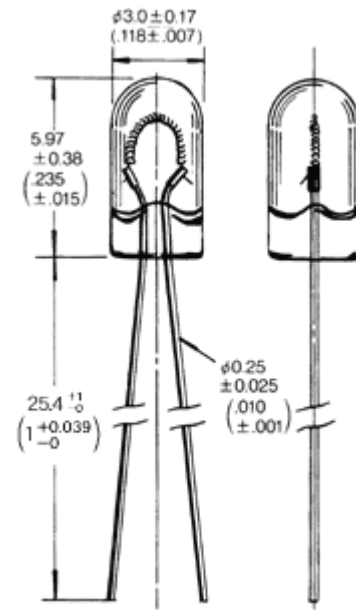
Wire Terminal

T-1 Wire Terminal

Line Nos.	Oshino Lamp Numbers	Design Volts	Design Amps	AVG. MSCd	Filament shape	Life (hours)
1	OL-3413	2.25	.30	.45	C-2R	20
2	OL-3017	3.0	.008	.001	C-6	16,000
3	OL-2128	3.0	.012	.0005	C-6	25,000
4	OL-3037	3.0	.04	.03	C-2R	10,000
5	OL-3010	3.0	.06	.03	C-2R	50,000
6	OL-3011	3.0	.12	.15	C-2R	3,000
7	OL-3001	5.0	.015	.002	C-2V	25,000
8	OL-3043	5.0	.02	.02	C-2R	20,000
9	OL-3019	5.0	.021	.034	C-2R	10,000
10	OL-3056	5.0	.03	.03	C-2R	16,000
11	OL-3009	5.0	.04	.025	C-2R	50,000
12	OL-680	5.0	.06	.03	C-2R	100,000
13	OL-680AS15	5.0	.06	.03	C-2R	100,000
14	OL-683	5.0	.06	.05	C-2R	100,000
15	OL-683AS15	5.0	.06	.05	C-2R	100,000
16	OL-3070	5.0	.06	.15	C-2R	5,000
17	OL-713	5.0	.075	.09	C-2R	40,000
18	OL-713AS15	5.0	.075	.09	C-2R	40,000
19	OL-715	5.0	.115	.15	C-2R	40,000
20	OL-715AS15	5.0	.115	.15	C-2R	40,000
21	OL-715F1	5.0	.125	.22	C-2R	5,000
22	OL-3093	6.0	.04	.04	C-2R	10,000
23	OL-3041	6.0	.06	.13	C-2R	3,000
24	OL-1088	10.0	.027	.09	C-2F	10,000
25	OL-3023	12.0	.03	.10	C-2F	10,000
26	OL-1089	12.0	.06	.15	C-2F	16,000
27	OL-3228	14.0	.04	.15	C-2F	16,000
28	OL-1111	14.0	.065	.15	C-2F	12,000
29	OL-1092	18.0	.026	.15	C-2F	10,000
30	OL-3316	18.0	.035	.15	C-2F	12,000
31	OL-3091S	24.0	.02	.05	CC-2F	5,000
32	OL-3091	28.0	.02	.05	CC-2F	5,000
33	OL-6838	28.0	.024	.15	CC-2F	5,000

Lamp Design Characteristics

Unit in mm
(inch)



Lead Dia is 0.3mm when taped on reel.



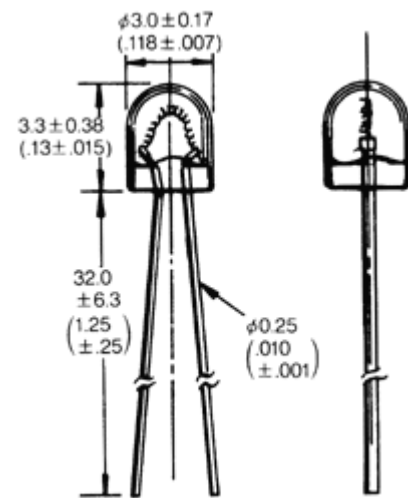
Wire Terminal

T-1 Short Wire Terminal

Line Nos.	Oshino Lamp Numbers	Design Volts	Design Amps	AVG. MSCd	Filament shape	Life (hours)
34	OL-30432	5.0	.02	.02	CC-6	20,000
35	OL-30192	5.0	.021	.034	C-2R	10,000
36	OL-6802	5.0	.06	.03	C-2R	200,000
37	OL-6802AS15	5.0	.06	.03	C-2R	200,000
38	OL-6832	5.0	.06	.05	C-2R	100,000
39	OL-6832AS15	5.0	.06	.05	C-2R	100,000
40	OL-30702	5.0	.06	.15	C-2R	5,000
41	OL-7132	5.0	.075	.09	C-2R	40,000
42	OL-7132AS15	5.0	.075	.09	C-2R	40,000
43	OL-7152	5.0	.115	.15	C-2R	40,000
44	OL-7152AS15	5.0	.115	.15	C-2R	40,000
45	OL-7152F1	5.0	.125	.22	C-2R	5,000
46	OL-32282	14.0	.04	.15	CC-2F	1,000
47	OL-8552	28.0	.02	.15	CC-2F	1,500

Lamp Design Characteristics

Unit in mm
(inch)



Copyright © 2006 OSHINO LAMPS LIMITED All Rights Reserved.



Groupe OSHINO



OSHINO LAMPS FRANCE
 Téléport 4 - ZT Pyrène Aéro Pôle - 65290 JUILLAN
 Tél: +33 (0)5 62 32 63 63 / Fax: +33 (0)5 62 32 63 65
 Email: info@oshino-lamps.fr / Site: www.oshino-lamps.com



FRANCE
200310775

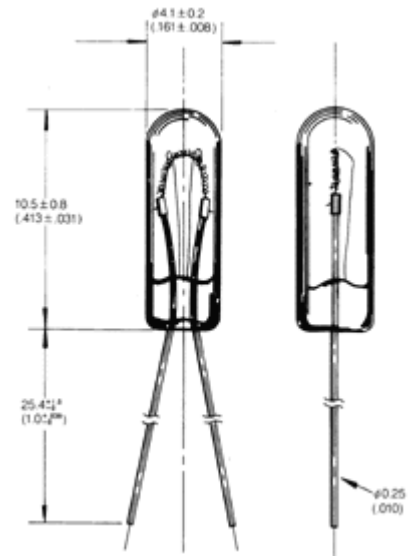
Wire Terminal

T-1 1/4 Wire Terminal

Line Nos.	Oshino Lamp Numbers	Design Volts	Design Amps	AVG. MSCd	Filament shape	Life (hours)
1	OL-580	5.0	.06	.03	C-2R	200,000
2	OL-583	5.0	.06	.05	C-2R	100,000
3	OL-4125	5.0	.06	.15	C-2R	5,000
4	OL-4003	5.0	.075	.09	C-2R	40,000
5	OL-515	5.0	.115	.15	C-2R	40,000
6	OL-4041	6.0	.04	.04	C-2V	10,000
7	OL-2114	6.0	.06	.13	C-2R	3,000
8	OL-634	6.0	.20	.63	C-2R	500
9	OL-610	6.3	.20	.55	C-2R	5,000
10	OL-4107	10.0	.014	.004	C-2F	50,000
11	OL-4031	12.0	.04	.12	C-2F	10,000
12	OL-4177	12.0	.04	.04	C-2F	25,000
13	OL-4054	12.0	.06	.15	C-2F	16,000
14	OL-4239	14.0	.04	.15	C-2F	8,000
15	OL-4168	14.0	.067	.175	C-2F	15,000
16	OL-640	14.0	.08	.30	C-2F	15,000
17	OL-4029	14.0	.08	.50	C-2F	1,500
18	OL-4185	14.0	.10	.50	C-2F	10,000
19	OL-4096	16.0	.03	.034	C-2F	25,000
20	OL-4059	24.0	.035	.13	C-2F	25,000
21	OL-4073	28.0	.024	.15	C-2F	5,000
22	OL-4132	28.0	.04	.20	C-2F	25,000
23	OL-4008	28.0	.04	.30	C-2F	7,000
24	OL-627	28.0	.04	.34	C-2F	4,000

Lamp Design Characteristics

Unit in mm
(inch)



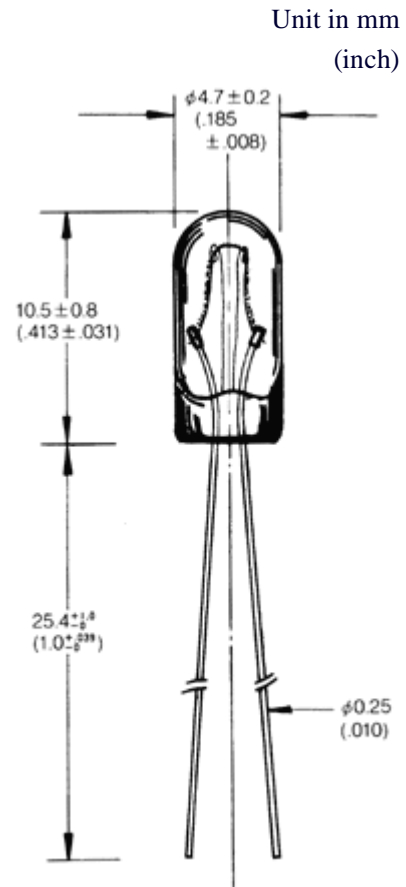
Copyright © 2006 OSHINO LAMPS LIMITED All Rights Reserved.

Wire Terminal

T-1 3/4 Wire Terminal

Line Nos.	Oshino Lamp Numbers	Design Volts	Design Amps	AVG. MSCd	Filament shape	Life (hours)
1	OL-1783	2.5	.20	.20	C-2R	500
2	OL-2169	2.5	.35	.21	C-2R	10,000
3	OL-1738	2.7	.06	.04	C-2R	6,000
4	OL-6130	3.0	.04	.03	C-2R	10,000
5	OL-2171	4.5	.12	.045	C-2V	25,000
6	OL-2208	5.0	.015	.002	C-2V	25,000
7	OL-6029	5.0	.02	.02	C-2V	10,000
8	OL-6134	5.0	.03	.03	C-2R	16,000
9	OL-6062	5.0	.04	.025	C-2R	50,000
10	OL-805	5.0	.06	.03	C-2R	200,000
11	OL-806	5.0	.06	.05	C-2R	100,000
12	OL-6083	5.0	.06	.15	C-2R	5,000
13	OL-6232	5.0	.075	.09	C-2R	40,000
14	OL-807	5.0	.115	.15	C-2R	40,000
15	OL-1083	5.0	.22	.60	C-2R	500
16	OL-1730	6.0	.04	.04	C-2V	10,000
17	OL-6225	6.0	.06	.13	C-2R	3,000
18	OL-1784	6.0	.20	.34@5V	C-2R	1,000
19	OL-2180	6.3	.04	.03	C-2V	50,000
20	OL-1739	6.3	.075	.23	C-2R	1,000
21	OL-6048	6.3	.15	.45	C-2R	3,000
22	OL-2181	6.3	.20	.40	C-2F	50,000
23	OL-2112	6.3	.20	.55	C-2R	5,000
24	OL-1869	10.0	.014	.004	C-2F	50,000
25	OL-6066	10.0	.027	.10	C-2V	3,000
26	OL-2107	10.0	.04	.08	C-2F	5,000
27	OL-2174	12.0	.04	.12	C-2F	10,000
28	OL-6037	12.0	.06	.15	C-2F	16,000

Lamp Design Characteristics





29	OL-2182	14.0	.08	.30	C-2F	50,000
30	OL-1705	14.0	.08	.50	C-2F	1,500
31	OL-1705L	14.0	.088	.50	C-2F	4,000
32	OL-2162	14.0	.10	.50	C-2F	10,000
33	OL-6002	15.0	.037	.075	C-2F	50,000
34	OL-2102	18.0	.04	.15	C-2F	10,000
35	OL-425	22.0	.04	.30	C-2F	2,000
36	OL-6004	24.0	.05	.50	C-2F	1,000
37	OL-6033	28.0	.024	.15	C-2F	5,000
38	OL-2185	28.0	.04	.20	C-2F	25,000
39	OL-2187	28.0	.04	.30	C-2F	7,000
40	OL-1764	28.0	.04	.34	C-2F	4,000
41	OL-1764LSV	28.0	.06	.34	C-2F	25,000
42	OL-361	28.0	.06	.60	C-2F	5,000
43	OL-6435	28.0	.065	.65	C-2F	10,000
44	OL-6234	32.0	.033	.34	C-2F	10,000

Copyright © 2006 OSHINO LAMPS LIMITED All Rights Reserved.



Groupe OSHINO



OSHINO LAMPS FRANCE
 Téléport 4 - ZT Pyrène Aéro Pôle - 65290 JUILLAN
 Tél: +33 (0)5 62 32 63 63 / Fax: +33 (0)5 62 32 63 65
 Email: info@oshino-lamps.fr / Site: www.oshino-lamps.com



FRANCE
200310775

IBP

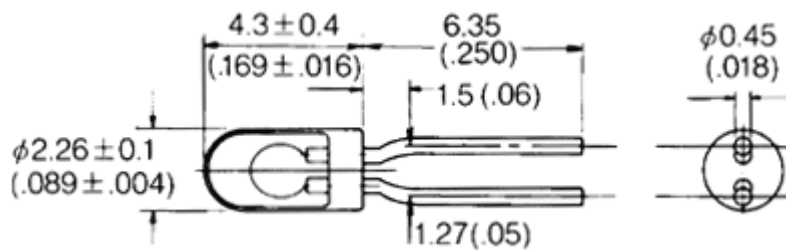
T-3/4 IBPS (Type-A)

Pin Spacing 1.27mm (.05")

Lamp Design Characteristics

Maximum length
4.7mm (.185")

Unit in mm (inch)



Line Nos.	Oshino Lamp Numbers	Design Volts	Design Amps	AVG. MSCd	Filament shape	Life (hours)
6	OL-2404IBPS/A	5.0	.02	.02	CC-6	20,000
7	OL-2400IBPS/A	5.0	.021	.034	CC-6	10,000
8	OL-6833IBPS/A	5.0	.06	.05	C-2R	100,000
9	OL-7133IBPS/A	5.0	.075	.09	C-2R	40,000
10	OL-7153IBPS/A	5.0	.115	.15	C-2R	40,000

Copyright © 2006 OSHINO LAMPS LIMITED All Rights Reserved.

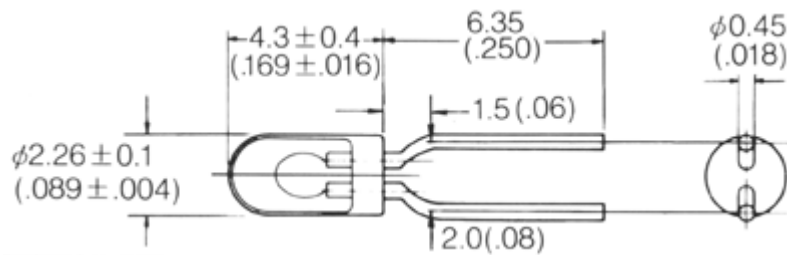
T-3/4 IBPS (Type-G)

Pin Spacing 2.0mm (.08")

Lamp Design Characteristics

Maximum length
4.7mm (.185")

Unit in mm (inch)



Line Nos.	Oshino Lamp Numbers	Design Volts	Design Amps	AVG. MSCd	Filament shape	Life (hours)
11	OL-2404IBPS/G	5.0	.02	.02	CC-6	20,000
12	OL-2400IBPS/G	5.0	.021	.034	CC-6	10,000
13	OL-6833IBPS/G	5.0	.06	.05	C-2R	100,000
14	OL-7133IBPS/G	5.0	.075	.09	C-2R	40,000
15	OL-7153IBPS/G	5.0	.115	.15	C-2R	40,000

Copyright © 2006 OSHINO LAMPS LIMITED All Rights Reserved.



IBP

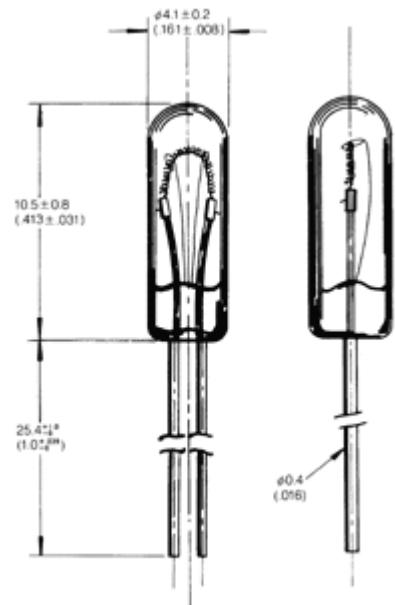
T-1 1/4 IBP

φ0.4mm(.016")Pins

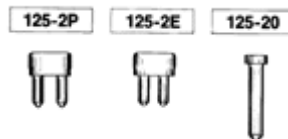
Line Nos.	Oshino Lamp Numbers	Design Volts	Design Amps	AVG. MSCd	Filament shape	Life (hours)
1	OL-583IBP	5.0	.06	.05	C-2R	100,000
2	OL-4003IBP	5.0	.075	.09	C-2R	40,000
3	OL-515IBP	5.0	.115	.15	C-2R	40,000
4	OL-4041IBP	6.0	.04	.04	C-2V	10,000
5	OL-2114IBP	6.0	.06	.13	C-2R	3,000
6	OL-634IBP	6.0	.20	.63	C-2R	500
7	OL-610IBP	6.3	.20	.55	C-2R	5,000
8	OL-4107IBP	10.0	.014	.004	C-2F	50,000
9	OL-4031IBP	12.0	.04	.12	C-2F	10,000
10	OL-4177IBP	12.0	.04	.04	C-2F	25,000
11	OL-4168IBP	14.0	.067	.175	C-2F	15,000
12	OL-640IBP	14.0	.08	.30	C-2F	15,000
13	OL-4029IBP	14.0	.08	.50	C-2F	1,500
14	OL-4185IBP	14.0	.10	.50	C-2F	10,000
15	OL-4096IBP	16.0	.03	.034	C-2F	25,000
16	OL-4059IBP	24.0	.035	.13	C-2F	25,000
17	OL-4073IBP	28.0	.024	.15	C-2F	5,000
18	OL-4132IBP	28.0	.04	.20	C-2F	25,000
19	OL-4008IBP	28.0	.04	.30	C-2F	7,000
20	OL-627IBP	28.0	.04	.34	C-2F	4,000

Lamp Design Characteristics

Unit in mm
(inch)



SOKETS APPLICABLE



Copyright © 2006 OSHINO LAMPS LIMITED All Rights Reserved.

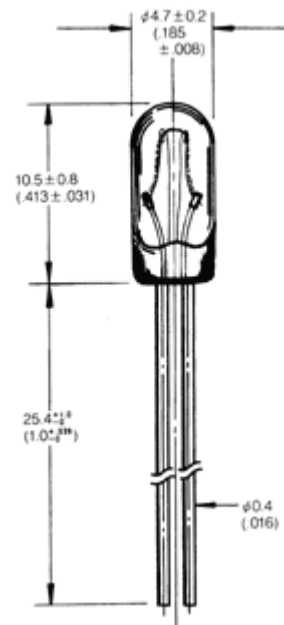
T-1 3/4 IBP

φ0.4mm(.016")Pins

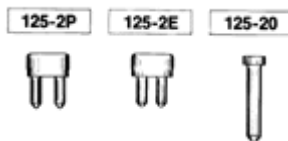
Line Nos.	Oshino Lamp Numbers	Design Volts	Design Amps	AVG. MSCd	Filament shape	Life (hours)
1	OL-806IBP	5.0	.06	.05	C-2R	100,000
2	OL-6083IBP	5.0	.06	.15	C-2R	5,000
3	OL-6232IBP	5.0	.075	.09	C-2R	40,000
4	OL-807IBP	5.0	.115	.15	C-2R	40,000
5	OL-6225IBP	6.0	.06	.13	C-2R	3,000
6	OL-1784IBP	6.0	.20	.34@5V	C-2R	1,000
7	OL-6048IBP	6.3	.15	.45	C-2R	3,000
8	OL-2181IBP	6.3	.20	.40	C-2F	50,000
9	OL-2112IBP	6.3	.20	.55	C-2R	5,000
10	OL-2107IBP	10.0	.04	.08	C-2F	5,000
11	OL-6037IBP	12.0	.06	.15	C-2F	16,000
12	OL-2182IBP	14.0	.08	.30	C-2F	50,000
13	OL-1705IBP	14.0	.08	.50	C-2F	1,500
14	OL-2162IBP	14.0	.10	.50	C-2F	10,000
15	OL-2102IBP	18.0	.04	.15	C-2F	10,000
16	OL-6004IBP	24.0	.05	.50	C-2F	1,000
17	OL-2185IBP	28.0	.04	.20	C-2F	25,000
18	OL-2187IBP	28.0	.04	.30	C-2F	7,000
19	OL-1764IBP	28.0	.04	.34	C-2F	4,000
20	OL-1764LSV-IBP	28.0	.06	.34	C-2F	25,000
21	OL-361IBP	28.0	.06	.60	C-2F	5,000

Lamp Design Characteristics

Unit in mm (inch)



SOCKETS APPLICABLE



Bi - PIN

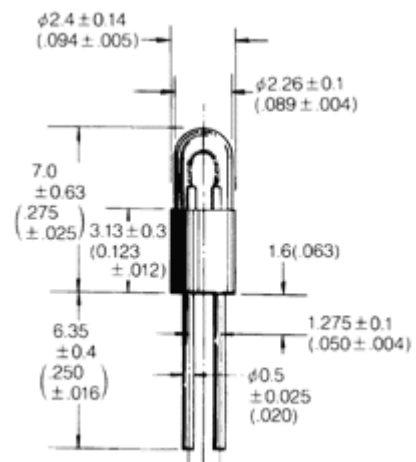
T-3/4 Bi-Pin

Line Nos.	Oshino Lamp Numbers	Design Volts	Design Amps	AVG. MSCd	Filament shape	Life (hours)
23	OL-2405BP	5.0	.02	.02	CC-6	20,000
24	OL-2401BP	5.0	.021	.034	CC-6	10,000
25	OL-2427BP	5.0	.03	.03	C-2R	16,000
26	OL-2416BP	5.0	.04	.025	C-2R	50,000
27	OL-8587BP	5.0	.06	.03	C-2R	200,000
28	OL-8913BP	5.0	.06	.05	C-2R	100,000
29	OL-2437BP	5.0	.06	.15	C-2R	5,000
30	OL-8828BP	5.0	.075	.09	C-2R	40,000
31	OL-8270BP	5.0	.115	.15	C-2R	40,000

Lamp Design Characteristics

Maximum length
4.7mm (.185")

Unit in mm
(inch)



Copyright © 2006 OSHINO LAMPS LIMITED All Rights Reserved.

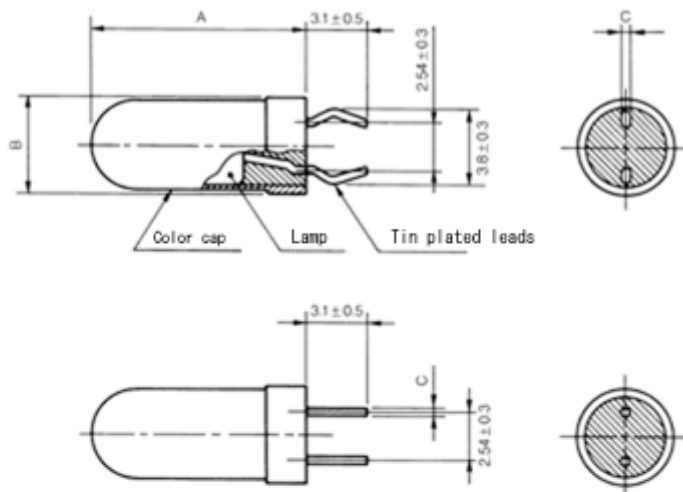
Bi - PIN

T-1 Cap Bi-Pin

P/N	Voltage	Current	Brightness		Filament
	(V)	(A)	(MSCP)	(Lm)	Shape
OL-683CBP	5.0	0.06	0.05	0.6	C-2R
OL-3070CBP	5.0	0.06	0.15	1.9	C-2R
OL-713CBP	5.0	0.075	0.09	1.1	C-2R
OL-715CBP	5.0	0.115	0.15	1.9	C-2R
OL-3041CBP	6.0	0.06	0.13	1.6	C-2R
OL-1088CBP	10.0	0.027	0.09	1.1	C-2F
OL-3023CBP	12.0	0.03	0.10	1.3	C-2F
OL-1089CBP	12.0	0.06	0.15	1.9	C-2F
OL-3228CBP	14.0	0.04	0.15	1.9	C-2F
OL-1111CBP	14.0	0.065	0.15	1.9	C-2F
OL-1092CBP	18.0	0.026	0.15	1.9	C-2F
OL-3316CBP	18.0	0.035	0.15	1.9	C-2F

Unit in mm
(inch)

1. Dimension • Appearance



2. P/N

SIZE	A	B	C
T-1	8.5MAX	4.7MAX	φ0.3
T-11/4	10.7MAX	5.1MAX	φ0.4

Lead forming dimension listed above is our standard style.
Custom-made specification is available upon request.



Bi - PIN

T-1 Bi-Pin(Type-E)

Pin Spacing 2.54mm (.100")

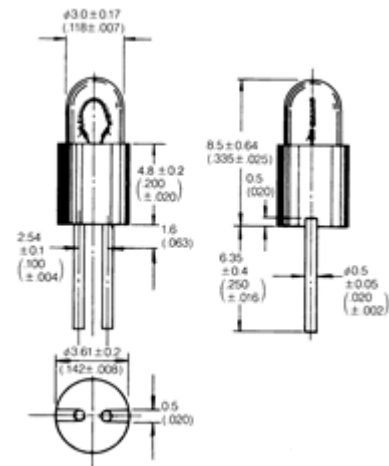
Line Nos.	Oshino Lamp Numbers	Design Volts	Design Amps	AVG. MSCd	Filament shape	Life (hours)
1	OL-3414BPE	2.25	.30	.45	C-2R	20
2	OL-3018BPE	3.0	.008	.001	C-6	16,000
3	OL-679BPE	3.0	.012	.0005	C-6	25,000
4	OL-3038BPE	3.0	.04	.03	C-2R	10,000
5	OL-3008BPE	3.0	.06	.03	C-2R	50,000
6	OL-3012BPE	3.0	.12	.15	C-2R	3,000
7	OL-3002BPE	5.0	.015	.002	C-2V	25,000
8	OL-3044BPE	5.0	.02	.02	CC-6	20,000
9	OL-3020BPE	5.0	.021	.034	C-2R	10,000
10	OL-3057BPE	5.0	.03	.03	C-2R	16,000
11	OL-307BPE	5.0	.04	.025	C-2R	50,000
12	OL-682BPE	5.0	.06	.03	C-2R	100,000
13	OL-682BPE-AS15	5.0	.06	.03	C-2R	100,000
14	OL-685BPE	5.0	.06	.05	C-2R	100,000
15	OL-685BPE-AS15	5.0	.06	.05	C-2R	100,000
16	OL-3071BPE	5.0	.06	.15	C-2R	5,000
17	OL-714BPE	5.0	.075	.09	C-2R	40,000
18	OL-714BPE-AS15	5.0	.075	.09	C-2R	40,000
19	OL-718BPE	5.0	.115	.15	C-2R	40,000
20	OL-718BPE-AS15	5.0	.115	.15	C-2R	40,000
21	OL-718F1-BPE	5.0	.125	.22	C-2R	5,000
22	OL-3094BPE	6.0	.04	.04	C-2R	10,000
23	OL-3042BPE	6.0	.06	.13	C-2R	3,000
24	OL-1098BPE	10.0	.027	.09	C-2F	10,000
25	OL-3024BPE	12.0	.03	.10	C-2F	10,000
26	OL-1099BPE	12.0	.06	.15	C-2F	16,000
27	OL-3229BPE	14.0	.04	.15	C-2F	16,000

Lamp Design Characteristics

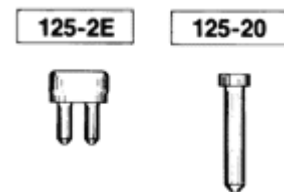
Maximum Diameter

3.81mm (.150")

Unit in mm (inch)



SOCKETS APPLICABLE



OSHOINO



OSHINO LAMPS FRANCE
 Téléport 4 - ZT Pyrène Aéro Pôle - 65290 JUILLAN
 Tél: +33 (0)5 62 32 63 63 / Fax: +33 (0)5 62 32 63 65
 Email: info@oshino-lamps.fr / Site: www.oshino-lamps.com



FRANCE
200310775



28	OL-1112BPE	14.0	.065	.15	C-2F	12,000
29	OL-1100BPE	18.0	.026	.15	C-2F	10,000
30	OL-3317BPE	18.0	.035	.15	C-2F	12,000
31	OL-3092S-BPE	24.0	.02	.05	CC-2F	5,000
32	OL-3092BPE	28.0	.02	.05	CC-2F	5,000
33	OL-6839BPE	28.0	.024	.15	CC-2F	5,000

Copyright © 2006 OSHINO LAMPS LIMITED All Rights Reserved.



Groupe OSHINO



SYNDICAT NATIONAL
de l'ENSEIGNEMENT
de la SIGNALÉTIQUE

OSHINO LAMPS FRANCE

Téléport 4 - ZT Pyrène Aéro Pôle - 65290 JUILLAN
Tél: +33 (0)5 62 32 63 63 / Fax: +33 (0)5 62 32 63 65
Email: info@oshino-lamps.fr / Site: www.oshino-lamps.com



FRANCE
020040775



Bi - PIN

T-1 1/4 Bi-Pin (Type-E)

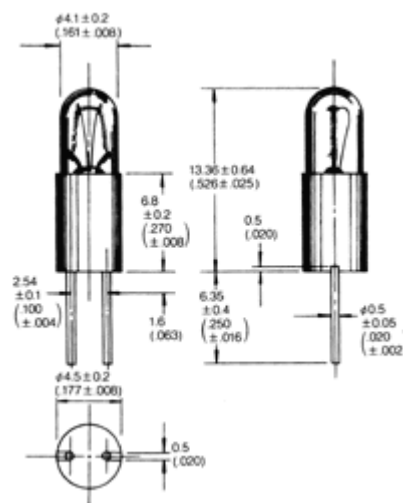
Line Nos.	Oshino Lamp Numbers	Design Volts	Design Amps	AVG. MSCd	Filament shape	Life (hours)
1	OL-585BPE	5.0	.06	.05	C-2R	100,000
2	OL-4004BPE	5.0	.075	.09	C-2R	40,000
3	OL-518BPE	5.0	.115	.15	C-2R	40,000
4	OL-4042BPE	6.0	.04	.04	C-2V	10,000
5	OL-4015BPE	6.0	.06	.13	C-2R	3,000
6	OL-628BPE	6.0	.20	.63	C-2R	500
7	OL-4032BPE	12.0	.04	.12	C-2F	10,000
8	OL-4030BPE	14.0	.08	.30	C-2F	15,000
9	OL-646BPE	14.0	.08	.50	C-2F	1,500
10	OL-4097BPE	16.0	.03	.034	C-2F	25,000
11	OL-4060BPE	24.0	.035	.13	C-2F	25,000
12	OL-4074BPE	28.0	.024	.15	C-2F	5,000
13	OL-4133BPE	28.0	.04	.20	C-2F	25,000
14	OL-4009BPE	28.0	.04	.30	C-2F	7,000
15	OL-632BPE	28.0	.04	.34	C-2F	4,000

Lamp Design Characteristics

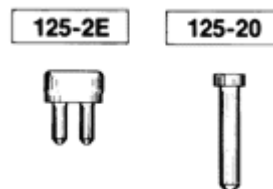
Maximum Diameter 4.7mm(.185")

Pin Spacing 2.54mm(.10")(inch)

Unit in mm
(inch)



SOCKETS APPLICABLE



Copyright © 2006 OSHINO LAMPS LIMITED All Rights Reserved.



Groupe OSHINO



OSHINO LAMPS FRANCE
 Téléport 4 - ZT Pyrène Aéro Pôle - 65290 JUILLAN
 Tél: +33 (0)5 62 32 63 63 / Fax: +33 (0)5 62 32 63 65
 Email: info@oshino-lamps.fr / Site: www.oshino-lamps.com



FRANCE
200310775

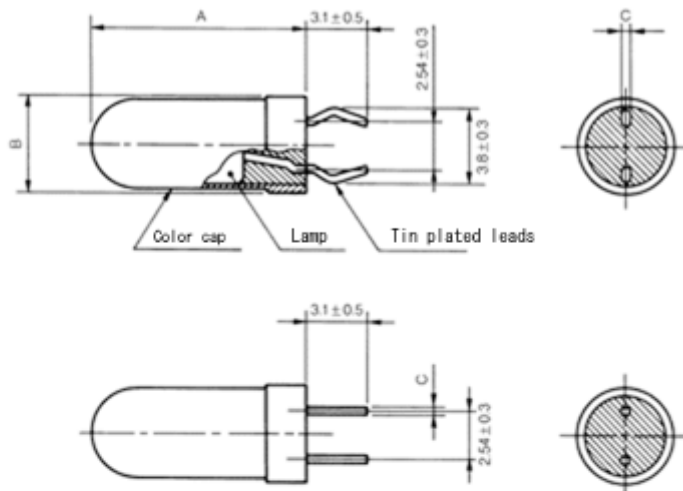
Bi - PIN

T-1 1/4 Cap Bi-Pin

P/N	Voltage	Current	Brightness		Filament Shape
	(V)		(A)	(MSCP)	
OL-583CBP	5.0	0.06	0.05	0.6	C-2R
OL-4125CBP	5.0	0.06	0.15	1.9	C-2R
OL-4003CBP	5.0	0.075	0.09	1.1	C-2R
OL-515CBP	5.0	0.115	0.15	1.9	C-2R
OL-2114CBP	6.0	0.06	0.13	1.7	C-2R
OL-634CBP	6.0	0.20	0.63	8.0	C-2R
OL-610CBP	6.3	0.20	0.55	7.0	C-2R
OL-4054CBP	12.0	0.06	0.15	1.9	C-2F
OL-640CBP	14.0	0.08	0.30	3.8	C-2F
OL-4029CBP	14.0	0.08	0.50	6.4	C-2F
OL-4185CBP	14.0	0.10	0.50	6.4	C-2F

Unit in mm
(inch)

1. Dimension • Appearance



2. P/N

SIZE	A	B	C
T-1	8.5MAX	4.7MAX	φ0.3
T-11/4	10.7MAX	5.1MAX	φ0.4

Lead forming dimension listed above is our standard style.
Custom-made specification is available upon request.

OL-XXXXCBP/XXX-XX



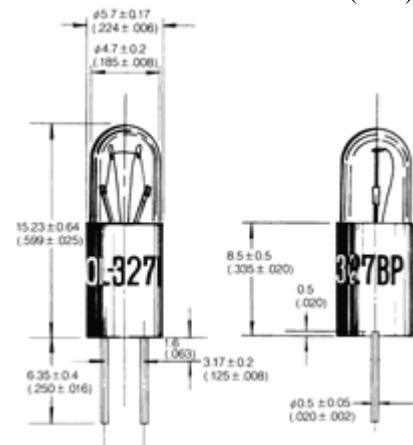
Bi - PIN

T-1 3/4 Bi-Pin

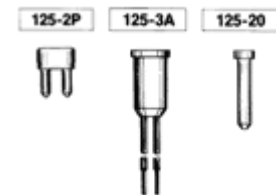
Line Nos.	Oshino Lamp Numbers	Design Volts	Design Amps	AVG. MSCd	Filament shape	Life (hours)
1	OL-368BP	2.5	.20	.20	C-2R	500
2	OL-268BP	2.5	.35	.21	C-2R	10,000
3	OL-338BP	2.7	.06	.04	C-2R	6,000
4	OL-6133BP	3.0	.04	.03	C-2R	10,000
5	OL-6049BP	4.5	.12	.045	C-2V	25,000
6	OL-6050BP	5.0	.015	.002	C-2V	25,000
7	OL-6030BP	5.0	.02	.02	C-2V	10,000
8	OL-6135BP	5.0	.03	.03	C-2R	16,000
9	OL-6063BP	5.0	.04	.025	C-2R	50,000
10	OL-782BP	5.0	.06	.03	C-2R	200,000
11	OL-783BP	5.0	.06	.05	C-2R	100,000
12	OL-6084BP	5.0	.06	.15	C-2R	5,000
13	OL-6233BP	5.0	.075	.09	C-2R	40,000
14	OL-815BP	5.0	.115	.15	C-2R	40,000
15	OL-428BP	5.0	.18	.35	C-2R	3,000
16	OL-345BP	6.0	.04	.04	C-2V	10,000
17	OL-6226BP	6.0	.06	.13	C-2R	3,000
18	OL-332BP	6.0	.20	.10	C-2F	50,000
19	OL-328BP	6.0	.20	.34@5V	C-2R	1,000
20	OL-380BP	6.3	.04	.03	C-2V	50,000
21	OL-377BP	6.3	.075	.23	C-2R	1,000
22	OL-350BP	6.3	.15	.45	C-2R	3,000
23	OL-381BP	6.3	.20	.40	C-2F	50,000
24	OL-349BP	6.3	.20	.55	C-2R	5,000
25	OL-344BP	10.0	.014	.004	C-2F	50,000
26	OL-367BP	10.0	.04	.08	C-2F	5,000
27	OL-394BP	12.0	.04	.12	C-2F	10,000
28	OL-6038BP	12.0	.06	.15	C-2F	16,000
29	OL-382BP	14.0	.08	.30	C-2F	50,000
30	OL-330BP	14.0	.08	.50	C-2F	1,500
31	OL-6006BP	14.0	.088	.50	C-2F	4,000
32	OL-8918BP	14.0	.10	.50	C-2F	10,000
33	OL-6003BP	15.0	.037	.075	C-2F	50,000
34	OL-370BP	18.0	.04	.15	C-2F	10,000
35	OL-459BP	22.0	.04	.30	C-2F	2,000
36	OL-6005BP	24.0	.05	.50	C-2F	1,000
37	OL-6034BP	28.0	.024	.15	C-2F	5,000
38	OL-385BP	28.0	.04	.20	C-2F	25,000
39	OL-387BP	28.0	.04	.30	C-2F	7,000
40	OL-327BP	28.0	.04	.34	C-2F	4,000

Lamp Design Characteristics

Unit in mm
(inch)



SOCKETS APPLICABLE



Groupe OSHINO



OSHINO LAMPS FRANCE

Téléport 4 - ZT Pyrène Aéro Pôle - 65290 JUILLAN
Tél: +33 (0)5 62 32 63 63 / Fax: +33 (0)5 62 32 63 65
Email: info@oshino-lamps.fr / Site: www.oshino-lamps.com



FRANCE 200210775



41	OL-327LSV-BP	28.0	.06	.34	C-2F	25,000
42	OL-365BP	28.0	.06	.60	C-2F	5,000
43	OL-6235BP	32.0	.033	.34	C-2F	10,000

Copyright © 2006 OSHINO LAMPS LIMITED All Rights Reserved.



Groupe OSHINO



OSHINO LAMPS FRANCE
Téléport 4 - ZT Pyrène Aéro Pôle - 65290 JUILLAN
Tél: +33 (0)5 62 32 63 63 / Fax: +33 (0)5 62 32 63 65
Email: info@oshino-lamps.fr / Site: www.oshino-lamps.com



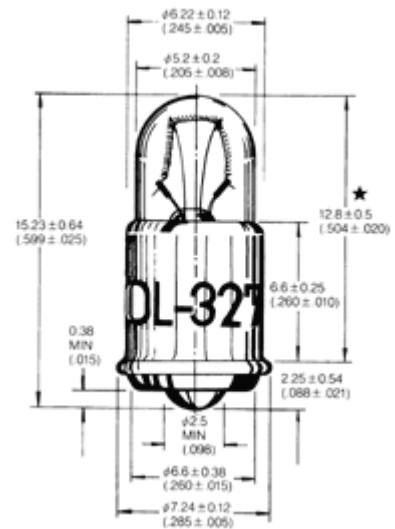
FRANCE
200310775

T-1 3/4 Midget Flanged

Line Nos.	Oshino Lamp Numbers	Design Volts	Design Amps	AVG. MSCd	Filament shape	Life (hours)
1	OL-368	2.5	.02	.02	C-2R	500
2	OL-268	2.5	.35	.21	C-2R	10,000
3	OL-338	2.7	.06	.04	C-2R	6,000
4	OL-6133	3.0	.04	.03	C-2R	10,000
5	OL-6049	4.5	.12	.045	C-2V	25,000
6	OL-6050	5.0	.015	.002	C-2V	25,000
7	OL-6030	5.0	.02	.02	C-2V	10,000
8	OL-6135	5.0	.03	.03	C-2R	16,000
9	OL-6063	5.0	.04	.025	C-2R	50,000
10	OL-782	5.0	.06	.03	C-2R	200,000
11	OL-783	5.0	.06	.05	C-2R	100,000
12	OL-6084	5.0	.06	.15	C-2R	5,000
13	OL-6233	5.0	.075	.09	C-2R	40,000
14	OL-815	5.0	.115	.15	C-2R	40,000
15	OL-428	5.0	.18	.35	C-2R	3,000
16	OL-345	6.0	.04	.04	C-2V	10,000
17	OL-6226	6.0	.06	.13	C-2R	3,000
18	OL-332	6.0	.20	.10	C-2F	50,000
19	OL-328	6.0	.20	.34@5V	C-2R	1,000
20	OL-380	6.3	.04	.03	C-2V	50,000
21	OL-377	6.3	.075	.23	C-2R	1,000
22	OL-350	6.3	.15	.45	C-2R	3,000
23	OL-381	6.3	.20	.40	C-2F	20,000
24	OL-349	6.3	.20	.55	C-2R	5,000
25	OL-344	10.0	.014	.004	C-2F	50,000
26	OL-367	10.0	.04	.08	C-2F	5,000
27	OL-394	12.0	.04	.12	C-2F	10,000
28	OL-6038	12.0	.06	.15	C-2F	16,000
29	OL-382	14.0	.08	.30	C-2F	50,000

Lamp Design Characteristics

Unit in mm
(inch)



MS25237 13.34mm MAX(.525")

30	OL-330	14.0	.08	.50	C-2F	1,500
31	OL-6006	14.0	.088	.50	C-2F	4,000
32	OL-8918	14.0	.10	.50	C-2F	10,000
33	OL-6003	15.0	.037	.075	C-2F	50,000
34	OL-370	18.0	.04	.15	C-2F	10,000
35	OL-459	22.0	.04	.30	C-2F	2,000
36	OL-6005	24.0	.05	.50	C-2F	1,000
37	OL-6034	28.0	.024	.15	C-2F	5,000
38	OL-385	28.0	.04	.20	C-2F	25,000
39	OL-385AS15	28.0	.04	.20	C-2F	25,000
40	OL-387	28.0	.04	.30	C-2F	7,000
41	OL-327	28.0	.04	.34	C-2F	4,000
42	OL-327LSV	28.0	.06	.34	C-2F	25,000
43	OL-365	28.0	.06	.60	C-2F	5,000
44	OL-6436	28.0	.065	.65	C-2F	10,000
45	OL-6235	32.0	.033	.34	C-2F	10,000

Japan industry standard JIS C7522

Copyright © 2006 OSHINO LAMPS LIMITED All Rights Reserved.



Groupe OSHINO



OSHINO LAMPS FRANCE
 Téléport 4 - ZT Pyrène Aéro Pôle - 65290 JUILLAN
 Tél: +33 (0)5 62 32 63 63 / Fax: +33 (0)5 62 32 63 65
 Email: info@oshino-lamps.fr / Site: www.oshino-lamps.com





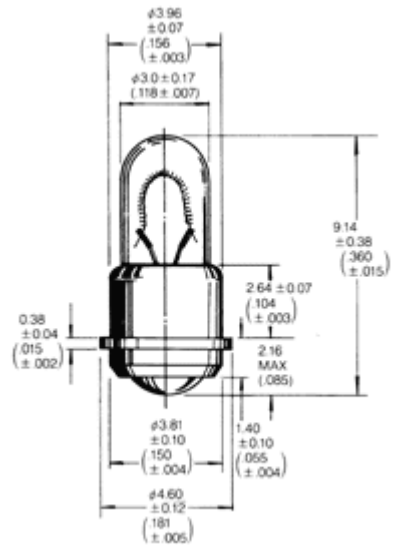
MF

T-1 Sub-Midget Flanged

Line Nos.	Oshino Lamp Numbers	Design Volts	Design Amps	AVG. MSCd	Filament shape	Life (hours)
1	OL-3414	2.25	.30	.45	C-2R	20
2	OL-3018	3.0	.008	.001	C-6	16,000
3	OL-679	3.0	.012	.0005	C-6	25,000
4	OL-3038	3.0	.04	.03	C-2R	10,000
5	OL-3008	3.0	.06	.03	C-2R	50,000
6	OL-3012	3.0	.12	.15	C-2R	3,000
7	OL-3002	5.0	.015	.002	C-2V	25,000
8	OL-3044	5.0	.02	.02	CC-6	20,000
9	OL-3020	5.0	.021	.034	C-2R	10,000
10	OL-3057	5.0	.03	.03	C-2R	16,000
11	OL-3007	5.0	.04	.025	C-2R	50,000
12	OL-682	5.0	.06	.03	C-2R	100,000
13	OL-682AS15	5.0	.06	.03	C-2R	100,000
14	OL-685	5.0	.06	.05	C-2R	100,000
15	OL-685AS15	5.0	.06	.05	C-2R	100,000
16	OL-3071	5.0	.06	.15	C-2R	5,000
17	OL-714	5.0	.075	.09	C-2R	40,000
18	OL-714AS15	5.0	.075	.09	C-2R	40,000
19	OL-718	5.0	.115	.15	C-2R	40,000
20	OL-718AS15	5.0	.115	.15	C-2R	40,000
21	OL-718F1	5.0	.125	.22	C-2R	5,000
22	OL-3094	6.0	.04	.04	C-2R	10,000
23	OL-3042	6.0	.06	.13	C-2R	3,000
24	OL-1098	10.0	.027	.09	C-2F	10,000
25	OL-3024	12.0	.03	.10	C-2F	10,000
26	OL-1099	12.0	.06	.15	C-2F	16,000
27	OL-3229	14.0	.04	.15	C-2F	16,000
28	OL-1112	14.0	.065	.15	C-2F	12,000
29	OL-1100	18.0	.026	.15	C-2F	10,000

Lamp Design Characteristics

Unit in mm
(inch)



Groupe OSHINO



OSHINO LAMPS FRANCE
 Téléport 4 - ZT Pyrène Aéro Pôle - 65290 JUILLAN
 Tél: +33 (0)5 62 32 63 63 / Fax: +33 (0)5 62 32 63 65
 Email: info@oshino-lamps.fr / Site: www.oshino-lamps.com



FRANCE
200310775

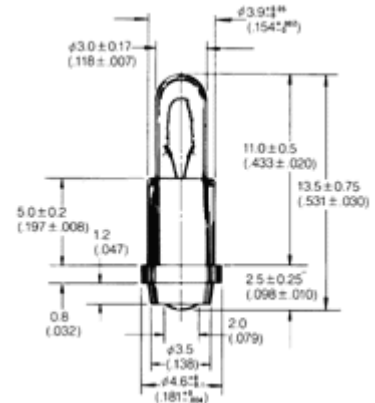
30	OL-3317	18.0	.035	.15	C-2F	12,000
31	OL-3092S	24.0	.02	.05	CC-2F	5,000
32	OL-3092	28.0	.02	.05	CC-2F	5,000
33	OL-6839	28.0	.024	.15	CC-2F	5,000

French Norm

Line Nos.	Oshino Lamp Numbers	Design Volts	Design Amps	AVG. MSCd	Filament shape	Life (hours)
34	OL-3104	5.0	.06	.05	C-2R	40,000
35	OL-3106	5.0	.115	.15	C-2R	20,000
36	OL-3109	12.0	.06	.15	C-2F	10,000
37	OL-3111	18.0	.026	.15	C-2F	3,000
38	OL-3112	28.0	.024	.15	CC-2F	5,000
39	OL-3115	28.0	.04	.30	CC-2F	1,000

Lamp Design Characteristics

Unit in mm
(inch)



Copyright © 2006 OSHINO LAMPS LIMITED All Rights Reserved.



Groupe OSHINO



OSHINO LAMPS FRANCE
 Téléport 4 - ZT Pyrène Aéro Pôle - 65290 JUILLAN
 Tél: +33 (0)5 62 32 63 63 / Fax: +33 (0)5 62 32 63 65
 Email: info@oshino-lamps.fr / Site: www.oshino-lamps.com



FRANCE
200310775

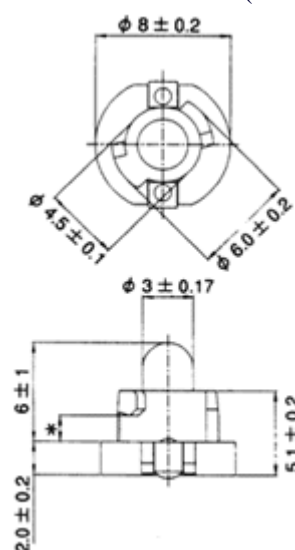
Circuit Board Lamps

T-1 NW

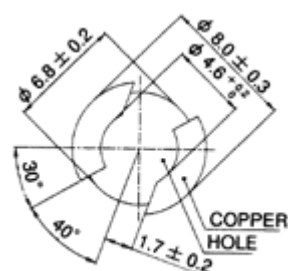
Characteristics					Part Number
Voltage	Current	Wattage	Brightness		NW
(V)	(mA)	(W)	(MSCP)	(Lm)	
5	60	0.30	0.05	0.6	OL-685NW
5	115	0.57	0.15	1.9	OL-718NW
12	60	0.72	0.15	1.9	OL-1099NW
12	60	0.72	0.20	2.5	OL-3507NW
14	40	0.56	0.12	1.5	OL-3323NW
14	40	0.56	0.15	1.9	OL-3229NW
14	50	0.70	0.20	2.5	OL-3444NW
14	60	0.84	0.25	3.1	OL-3506NW
14	60	0.84	0.36	4.5	OL-3579NW
14	65	0.90	0.15	1.9	OL-1112NW

Lamp Design Characteristics

Unit in mm
(inch)



RECOMMENDED MOUNT HOLE



PCB THICKNESS 1.45 ~ 1.65

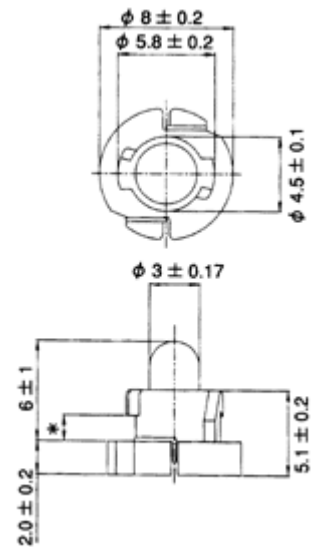
Copyright © 2006 OSHINO LAMPS LIMITED All Rights Reserved.

T-1 NWA

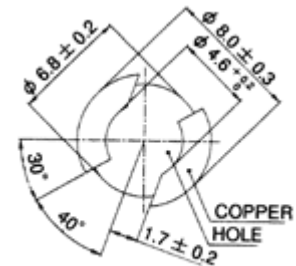
Characteristics					Part Number
Voltage	Current	Wattage	Brightness		NWA
(V)	(mA)	(W)	(MSCP)	(Lm)	
5	60	0.30	0.05	0.6	OL-685NWA
5	115	0.57	0.15	1.9	OL-718NWA
12	60	0.72	0.15	1.9	OL-1099NWA
12	60	0.72	0.20	2.5	OL-3507NWA
14	40	0.56	0.12	1.5	OL-3323NWA
14	40	0.56	0.15	1.9	OL-3229NWA
14	50	0.70	0.20	2.5	OL-3444NWA
14	60	0.84	0.25	3.1	OL-3506NWA
14	60	0.84	0.36	4.5	OL-3579NWA
14	65	0.90	0.15	1.9	OL-1112NWA

Lamp Design Characteristics

Unit in mm
(inch)



RECOMMENDED MOUNT HOLE



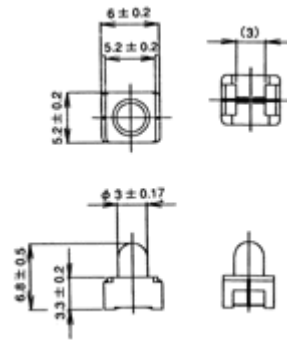
PCB THICKNESS 1.45 ~ 1.65

T-1 SMC/V-03

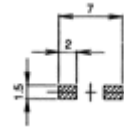
Characteristics					Part Number
Voltage (V)	Current (mA)	Wattage (W)	Brightness		SMC/V
			(MSCP)	(Lm)	
5	60	0.30	0.05	0.6	OL-685SMC/V-03
5	115	0.57	0.15	1.9	OL-718SMC/V-03
12	60	0.72	0.15	1.9	OL-1099SMC/V-03
12	60	0.72	0.20	2.5	OL-3507SMC/V-03
14	40	0.56	0.12	1.5	OL-3323SMC/V-03
14	40	0.56	0.15	1.9	OL-3229SMC/V-03
14	50	0.70	0.20	2.5	OL-3444SMC/V-03
14	60	0.84	0.25	3.1	OL-3506SMC/V-03
14	60	0.84	0.36	4.5	OL-3579SMC/V-03
14	65	0.90	0.15	1.9	OL-1112SMC/V-03

Lamp Design Characteristics

Unit in mm
(inch)



RECOMMENDED MOUNT PATTERN

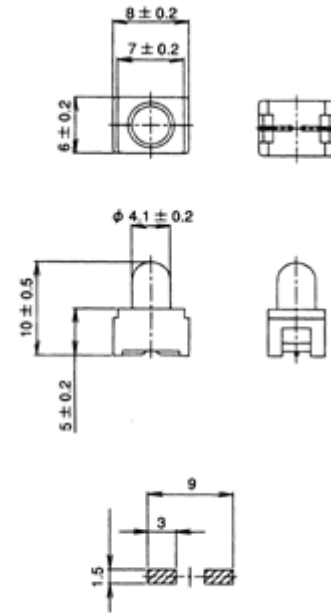


T-1 1/4 SMC/V

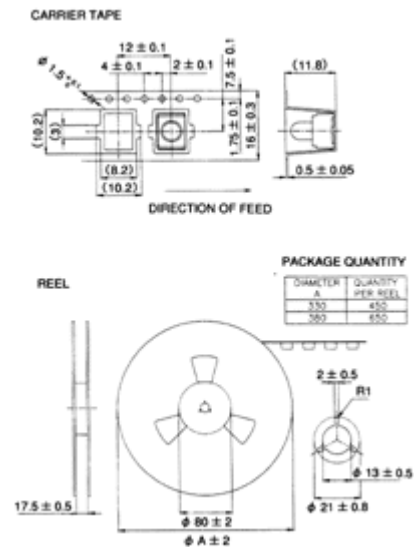
Characteristics					Part Number
Voltage	Current	Wattage	Brightness		
(V)	(mA)	(W)	(MSCP)	(Lm)	SMC/V
5	60	0.30	0.05	0.6	OL-585SMC/V
5	115	0.57	0.15	1.9	OL-518SMC/V
12	40	0.48	0.12	1.5	OL-4032SMC/V
12	60	0.72	0.15	1.9	OL-4106SMC/V
14	40	0.56	0.15	1.9	OL-4240SMC/V
14	67	0.94	0.175	2.2	OL-4222SMC/V
14	80	1.12	0.30	3.8	OL-4030SMC/V
14	100	1.40	0.50	6.3	OL-4186SMC/V
14	115	1.61	0.60	7.5	OL-4389SMC/V
28	40	1.12	0.30	3.8	OL-4009SMC/V

Lamp Design Characteristics

Unit in mm
(inch)



SMC/V TAPE REEL

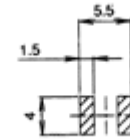
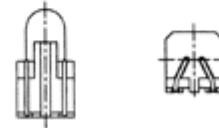
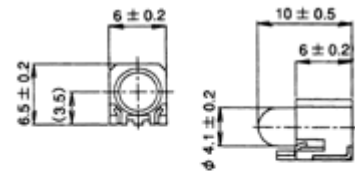


T-1 1/4 SMC/H

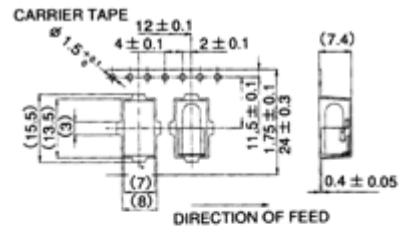
Characteristics					Part Number
Voltage	Current	Wattage	Brightness		
(V)	(mA)	(W)	(MSCP)	(Lm)	SMC/H
5	60	0.30	0.05	0.6	OL-585SMC/H
5	115	0.57	0.15	1.9	OL-518SMC/H
12	40	0.48	0.12	1.5	OL-4032SMC/H
12	60	0.72	0.15	1.9	OL-4106SMC/H
14	40	0.56	0.15	1.9	OL-4240SMC/H
14	67	0.94	0.175	2.2	OL-4222SMC/H
14	80	1.12	0.30	3.8	OL-4030SMC/H
14	100	1.40	0.50	6.3	OL-4186SMC/H
14	115	1.61	0.60	7.5	OL-4389SMC/H
28	40	1.12	0.30	3.8	OL-4009SMC/H

Lamp Design Characteristics

Unit in mm
(inch)

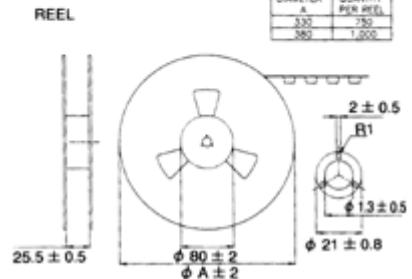


SMC/H TAPE REEL



PACKAGE QUANTITY

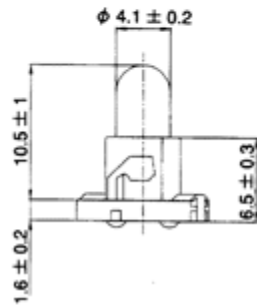
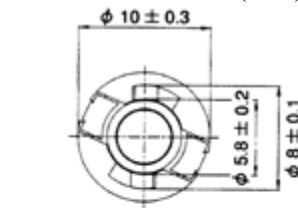
DIAMETER A	QUANTITY PER REEL
330	750
360	1,000



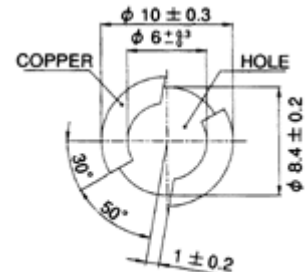
T-1 1/4 NW

Characteristics					Part Number
Voltage	Current	Wattage	Brightness		
(V)	(mA)	(W)	(MSCP)	(Lm)	NW
5	60	0.30	0.05	0.6	OL-585NW
5	115	0.57	0.15	1.9	OL-518NW
12	40	0.48	0.12	1.5	OL-4032NW
12	60	0.72	0.15	1.9	OL-4106NW
14	40	0.56	0.15	1.9	OL-4240NW
14	67	0.94	0.175	2.2	OL-4222NW
14	80	1.12	0.30	3.8	OL-4030NW
14	100	1.40	0.50	6.3	OL-4186NW
14	115	1.61	0.60	7.5	OL-4389NW
28	40	1.12	0.30	3.8	OL-4009NW

Lamp Design Characteristics
Unit in mm
(inch)



RECOMMENDED MOUNT HOLE

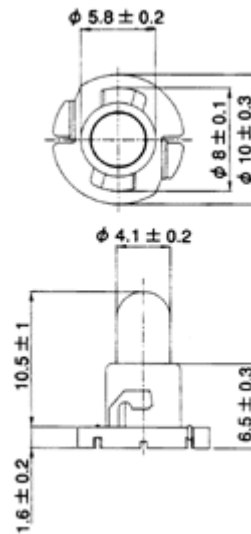


PCB THICKNESS 1.45 ~ 1.65

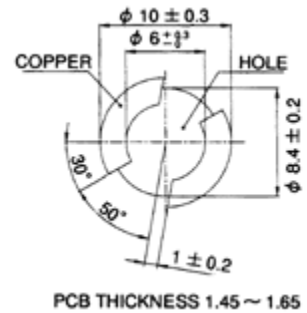
T-1 1/4 NWA

Characteristics					Part Number
Voltage	Current	Wattage	Brightness		NWA
(V)	(mA)	(W)	(MSCP)	(Lm)	
5	60	0.30	0.05	0.6	OL-585NWA
5	115	0.57	0.15	1.9	OL-518NWA
12	40	0.48	0.12	1.5	OL-4032NWA
12	60	0.72	0.15	1.9	OL-4106NWA
14	40	0.56	0.15	1.9	OL-4240NWA
14	67	0.94	0.175	2.2	OL-4222NWA
14	80	1.12	0.30	3.8	OL-4030NWA
14	100	1.40	0.50	6.8	OL-4186NWA
14	115	1.61	0.60	7.5	OL-4389NWA
28	40	1.12	0.30	3.8	OL-4009NWA

Lamp Design Characteristics
Unit in mm
(inch)



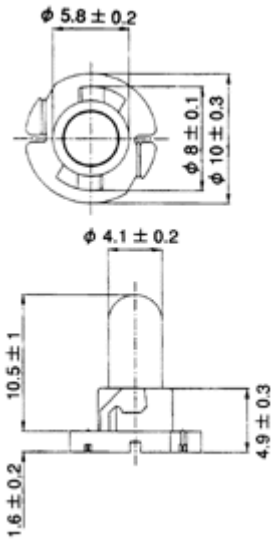
RECOMMENDED MOUNT HOLE



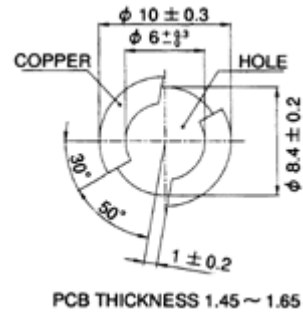
T-1 1/4 NWA4.9

Characteristics					Part Number
Voltage	Current	Wattage	Brightness		NWA-4.9
(V)	(mA)	(W)	(MSCP)	(Lm)	
5	60	0.30	0.05	0.6	OL-585NWA4.9
5	115	0.57	0.15	1.9	OL-518NWA4.9
12	40	0.48	0.12	1.5	OL-4032NWA4.9
12	60	0.72	0.15	1.9	OL-4106NWA4.9
14	40	0.56	0.15	1.9	OL-4240NWA4.9
14	67	0.94	0.175	2.2	OL-4222NWA4.9
14	80	1.12	0.30	3.8	OL-4030NWA4.9
14	100	1.40	0.50	6.3	OL-4186NWA4.9
14	115	1.61	0.60	7.5	OL-4389NWA4.9
28	40	1.12	0.30	3.8	OL-4009NWA4.9

Lamp Design Characteristics
Unit in mm
(inch)



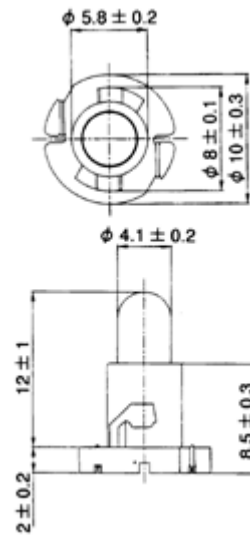
RECOMMENDED MOUNT HOLE



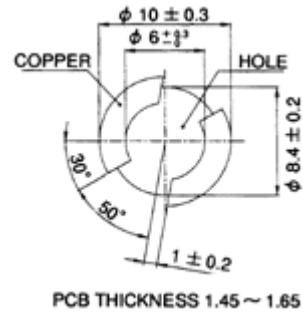
T-1 1/4 NWA8.5

Characteristics					Part Number
Voltage	Current	Wattage	Brightness		NWA-8.5
(V)	(mA)	(W)	(MSCP)	(Lm)	
5	60	0.30	0.05	0.6	OL-585NWA8.5
5	115	0.57	0.15	1.9	OL-518NWA8.5
12	40	0.48	0.12	1.5	OL-4032NWA8.5
12	60	0.72	0.15	1.9	OL-4106NWA8.5
14	40	0.56	0.15	1.9	OL-4240NWA8.5
14	67	0.94	0.175	2.2	OL-4222NWA8.5
14	80	1.12	0.30	3.8	OL-4030NWA8.5
14	100	1.40	0.50	6.3	OL-4186NWA8.5
14	115	1.61	0.60	7.5	OL-4389NWA8.5
28	40	1.12	0.30	3.8	OL-4009NWA8.5

Lamp Design Characteristics
Unit in mm
(inch)



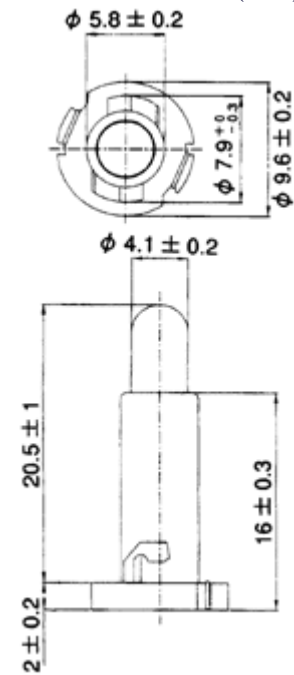
RECOMMENDED MOUNT HOLE



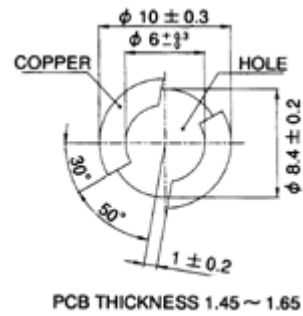
T-1 1/4 NWA16

Characteristics					Part Number
Voltage	Current	Wattage	Brightness		NWA16
(V)	(mA)	(W)	(MSCP)	(Lm)	
5	60	0.30	0.05	0.6	OL-585NWA16
5	115	0.57	0.15	1.9	OL-518NWA16
12	40	0.48	0.12	1.5	OL-4032NWA16
12	60	0.72	0.15	1.9	OL-4106NWA16
14	40	0.56	0.15	1.9	OL-4240NWA16
14	67	0.94	0.175	2.2	OL-4222NWA16
14	80	1.12	0.30	3.8	OL-4030NWA16
14	100	1.40	0.50	6.3	OL-4186NWA16
14	115	1.61	0.60	7.5	OL-4389NWA16
28	40	1.12	0.30	3.8	OL-4009NWA16

Lamp Design Characteristics
Unit in mm
(inch)



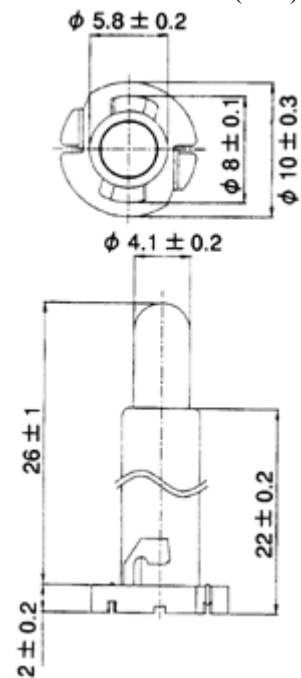
RECOMMENDED MOUNT HOLE



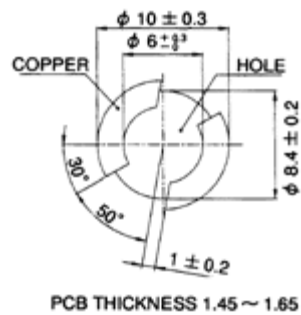
T-1 1/4 NWA22

Characteristics					Part Number
Voltage	Current	Wattage	Brightness		
(V)	(mA)	(W)	(MSCP)	(Lm)	NWA22
5	60	0.30	0.05	0.6	OL-585NWA22
5	115	0.57	0.15	1.9	OL-518NWA22
12	40	0.48	0.12	1.5	OL-4032NWA22
12	60	0.72	0.15	1.9	OL-4106NWA22
14	40	0.56	0.15	1.9	OL-4240NWA22
14	67	0.94	0.175	2.2	OL-4222NWA22
14	80	1.12	0.30	3.8	OL-4030NWA22
14	100	1.40	0.50	6.3	OL-4186NWA22
14	115	1.61	0.60	7.5	OL-4389NWA22
28	40	1.12	0.30	3.8	OL-4009NWA22

Lamp Design Characteristics
Unit in mm
(inch)



RECOMMENDED MOUNT HOLE

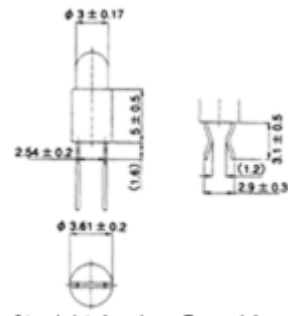


T-1 BPEI

Characteristics					Part Number
Voltage	Current	Wattage	Brightness		BPEI
(V)	(mA)	(W)	(MSCP)	(Lm)	
5	60	0.30	0.05	0.6	OL-685BPEI
5	115	0.57	0.15	1.9	OL-718BPEI
12	60	0.72	0.15	1.9	OL-1099BPEI
12	60	0.72	0.20	2.5	OL-3507BPEI
14	40	0.56	0.12	1.5	OL-3323BPEI
14	40	0.56	0.15	1.9	OL-3229BPEI
14	50	0.70	0.20	2.5	OL-3444BPEI
14	60	0.84	0.25	3.1	OL-3506BPEI
14	60	0.84	0.36	4.5	OL-3579BPEI
14	65	0.90	0.15	1.9	OL-1112BPEI

Lamp Design Characteristics

Unit in mm
(inch)



Straight Leads Formed Leads

RECOMMENDED MOUNT HOLE

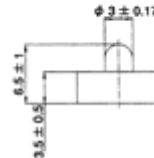
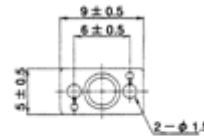


T-1 GT

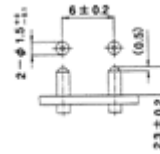
Characteristics					Part Number
Voltage	Current	Wattage	Brightness		
(V)	(mA)	(W)	(MSCP)	(Lm)	GT
5	60	0.30	0.05	0.6	OL-685GT
5	115	0.57	0.15	1.9	OL-718GT
12	60	0.72	0.15	1.9	OL-1099GT
12	60	0.72	0.20	2.5	OL-3507GT
14	40	0.56	0.12	1.5	OL-3323GT
14	40	0.56	0.15	1.9	OL-3229GT
14	50	0.70	0.20	2.5	OL-3444GT
14	60	0.84	0.25	3.1	OL-3506GT
14	60	0.84	0.36	4.5	OL-3579GT
14	65	0.90	0.15	1.9	OL-1112GT

Lamp Design Characteristics

Unit in mm
(inch)



RECOMMENDED MOUNT TERMINAL

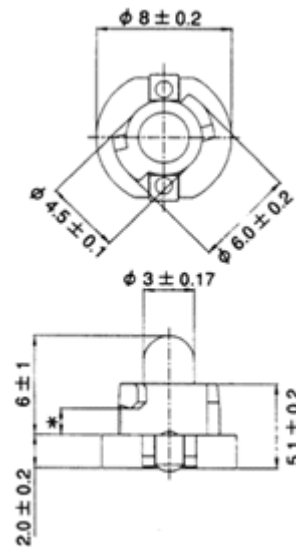


T-1 NW

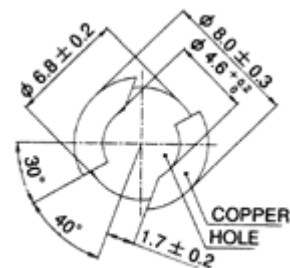
Characteristics					Part Number
Voltage	Current	Wattage	Brightness		
(V)	(mA)	(W)	(MSCP)	(Lm)	NW
5	60	0.30	0.05	0.6	OL-685NW
5	115	0.57	0.15	1.9	OL-718NW
12	60	0.72	0.15	1.9	OL-1099NW
12	60	0.72	0.20	2.5	OL-3507NW
14	40	0.56	0.12	1.5	OL-3323NW
14	40	0.56	0.15	1.9	OL-3229NW
14	50	0.70	0.20	2.5	OL-3444NW
14	60	0.84	0.25	3.1	OL-3506NW
14	60	0.84	0.36	4.5	OL-3579NW
14	65	0.90	0.15	1.9	OL-1112NW

Lamp Design Characteristics

Unit in mm
(inch)



RECOMMENDED MOUNT HOLE



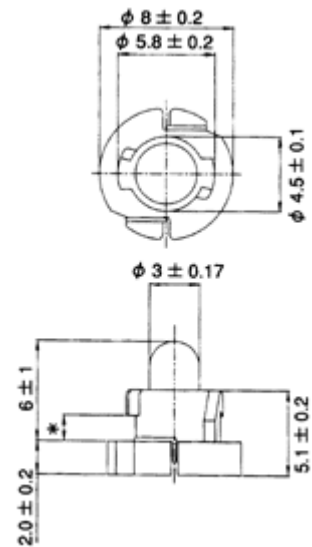
PCB THICKNESS 1.45 ~ 1.65

T-1 NWA

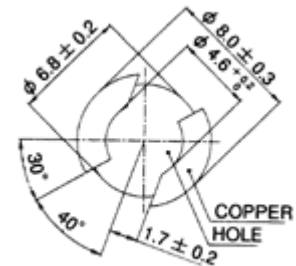
Characteristics					Part Number
Voltage	Current	Wattage	Brightness		NWA
(V)	(mA)	(W)	(MSCP)	(Lm)	
5	60	0.30	0.05	0.6	OL-685NWA
5	115	0.57	0.15	1.9	OL-718NWA
12	60	0.72	0.15	1.9	OL-1099NWA
12	60	0.72	0.20	2.5	OL-3507NWA
14	40	0.56	0.12	1.5	OL-3323NWA
14	40	0.56	0.15	1.9	OL-3229NWA
14	50	0.70	0.20	2.5	OL-3444NWA
14	60	0.84	0.25	3.1	OL-3506NWA
14	60	0.84	0.36	4.5	OL-3579NWA
14	65	0.90	0.15	1.9	OL-1112NWA

Lamp Design Characteristics

Unit in mm
(inch)



RECOMMENDED MOUNT HOLE



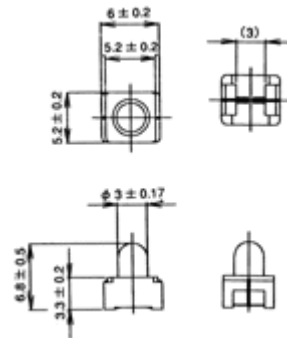
PCB THICKNESS 1.45 ~ 1.65

T-1 SMC/V-03

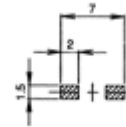
Characteristics					Part Number
Voltage (V)	Current (mA)	Wattage (W)	Brightness		SMC/V
			(MSCP)	(Lm)	
5	60	0.30	0.05	0.6	OL-685SMC/V-03
5	115	0.57	0.15	1.9	OL-718SMC/V-03
12	60	0.72	0.15	1.9	OL-1099SMC/V-03
12	60	0.72	0.20	2.5	OL-3507SMC/V-03
14	40	0.56	0.12	1.5	OL-3323SMC/V-03
14	40	0.56	0.15	1.9	OL-3229SMC/V-03
14	50	0.70	0.20	2.5	OL-3444SMC/V-03
14	60	0.84	0.25	3.1	OL-3506SMC/V-03
14	60	0.84	0.36	4.5	OL-3579SMC/V-03
14	65	0.90	0.15	1.9	OL-1112SMC/V-03

Lamp Design Characteristics

Unit in mm
(inch)



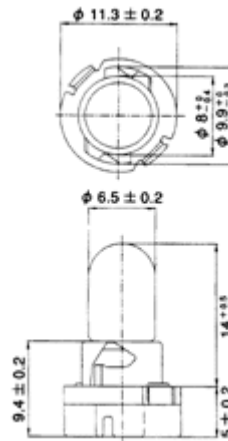
RECOMMENDED MOUNT PATTERN



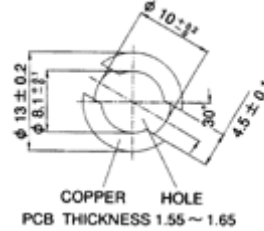
T-6.5 NWC

Characteristics					Part Number
Voltage	Current	Wattage	Brightness		
(V)	(mA)	(W)	(MSCP)	(Lm)	NWC
12	170	2.04	0.72	9.0	OL-7214NWC
12	220	2.64	1.80	22.6	OL-7218NWC
14	120	1.68	1.20	15.1	OL-7204NWC
14	150	2.10	1.00	12.6	OL-7202NWC
14	125	1.75	0.70	8.8	OL-7232NWC
14	140	1.96	0.80	10.1	OL-7220NWC
14	220	3.08	1.40	17.6	OL-7228NWC
14	240	3.36	1.80	22.6	OL-7208NWC
28	110	3.08	1.20	15.1	OL-7246NWC
28	110	3.08	1.60	20.1	OL-7212NWC

Lamp Design Characteristics
Unit in mm
(inch)



RECOMMENDED MOUNT HOLE

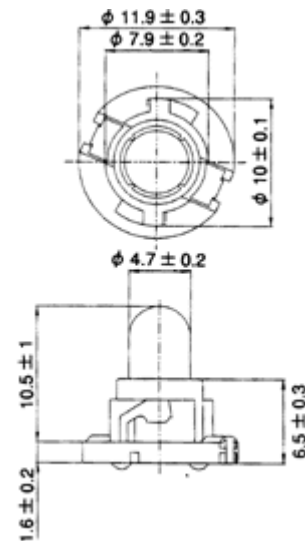


T-1 1/2 NW

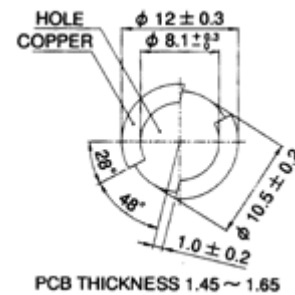
Characteristics					Part Number
Voltage	Current	Wattage	Brightness		
(V)	(mA)	(W)	(MSCP)	(Lm)	NW
12	40	0.48	0.12	1.5	OL-5006NW
12	60	0.72	0.15	1.9	OL-5025NW
12	100	1.20	0.36	4.5	OL-5033NW
14	40	0.56	0.15	1.9	OL-5059NW
14	60	0.84	0.20	2.5	OL-5109NW
14	80	1.12	0.30	3.8	OL-5015NW
14	80	1.12	0.56	7.0	OL-5094NW
14	100	1.40	0.50	6.3	OL-5021NW
14	130	1.82	0.70	8.8	OL-5069NW
28	40	1.12	0.30	3.8	OL-5017NW

Lamp Design Characteristics

Unit in mm
(inch)



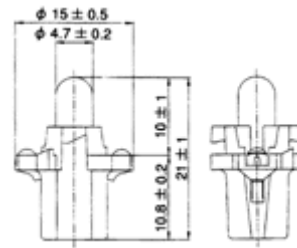
RECOMMENDED MOUNT HOLE



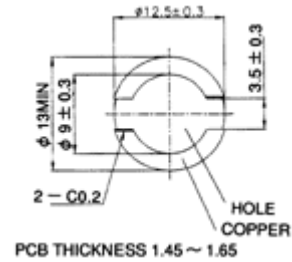
T-1 1/2 PBA

C haracteristics					Part Number
Voltage	Current	Wattage	Brightness		PBA
(V)	(mA)	(W)	(MSCP)	(Lm)	
12	40	0.48	0.12	1.5	OL-5006PBA
12	60	0.72	0.15	1.9	OL-5025PBA
12	100	1.20	0.36	4.5	OL-5033PBA
14	40	0.56	0.15	1.9	OL-5059PBA
14	60	0.84	0.20	2.5	OL-5109PBA
14	80	1.12	0.30	3.8	OL-5015PBA
14	80	1.12	0.56	7.0	OL-5094PBA
14	100	1.40	0.50	6.3	OL-5021PBA
14	130	1.82	0.70	8.8	OL-5069PBA
28	40	1.12	0.30	3.8	OL-5017PBA

Lamp Design Characteristics
Unit in mm
(inch)



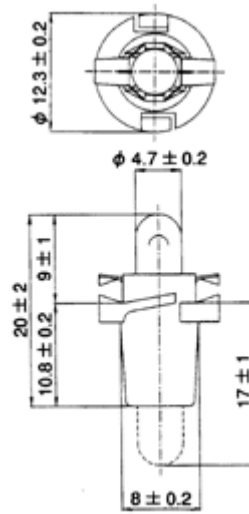
RECOMMENDED MOUNT HOLE



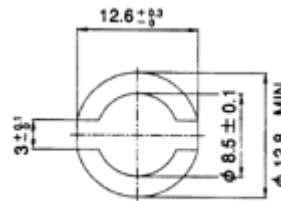
T-1 1/2 PBB

Characteristics					Part Number
Voltage	Current	Wattage	Brightness		PBB
(V)	(mA)	(W)	(MSCP)	(Lm)	
12	40	0.48	0.12	1.5	OL-5006PBB
12	60	0.72	0.15	1.9	OL-5025PBB
12	100	1.20	0.36	4.5	OL-5033PBB
14	40	0.56	0.15	1.9	OL-5059PBB
14	60	0.84	0.20	2.5	OL-5109PBB
14	80	1.12	0.30	3.8	OL-5015PBB
14	80	1.12	0.56	7.0	OL-5094PBB
14	100	1.40	0.50	6.3	OL-5021PBB
14	130	1.82	0.70	8.8	OL-5069PBB
28	40	1.12	0.30	3.8	OL-5017PBB

Lamp Design Characteristics
Unit in mm
(inch)



RECOMMENDED MOUNT HOLE



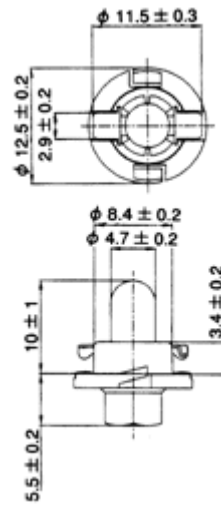
PCB THICKNESS 1.45 ~ 1.65

T-1 1/2 PBC

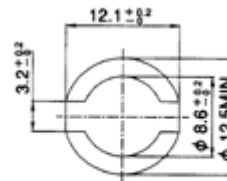
Characteristics					Part Number
Voltage	Current	Wattage	Brightness		PBC
(V)	(mA)	(W)	(MSCP)	(Lm)	
12	40	0.48	0.12	1.5	OL-5006PBC
12	60	0.72	0.15	1.9	OL-5025PBC
12	100	1.20	0.36	4.5	OL-5033PBC
14	40	0.56	0.15	1.9	OL-5059PBC
14	60	0.84	0.20	2.5	OL-5109PBC
14	80	1.12	0.30	3.8	OL-5015PBC
14	80	1.12	0.56	7.0	OL-5094PBC
14	100	1.40	0.50	6.3	OL-5021PBC
14	130	1.82	0.70	8.8	OL-5069PBC
28	40	1.12	0.30	3.8	OL-5017PBC

Lamp Design Characteristics

Unit in mm
(inch)



RECOMMENDED MOUNT HOLE



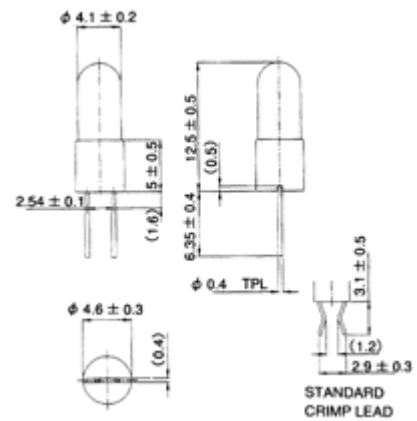
PCB THICKNESS 1.45 ~ 1.65

T-1 1/4 BPI

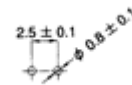
Characteristics					Part Number
Voltage	Current	Wattage	Brightness		BPI
(V)	(mA)	(W)	(MSCP)	(Lm)	
5	60	0.30	0.05	0.6	OL-585BPI
5	115	0.57	0.15	1.9	OL-518BPI
12	40	0.48	0.12	1.5	OL-4032BPI
12	60	0.72	0.15	1.9	OL-4106BPI
14	40	0.56	0.15	1.9	OL-4240BPI
14	67	0.94	0.175	2.2	OL-4222BPI
14	80	1.12	0.30	3.8	OL-4030BPI
14	100	1.40	0.50	6.3	OL-4186BPI
14	115	1.61	0.60	7.5	OL-4389BPI
28	40	1.12	0.30	3.8	OL-4009BPI

Lamp Design Characteristics

Unit in mm
(inch)



RECOMMENDED MOUNT HOLE

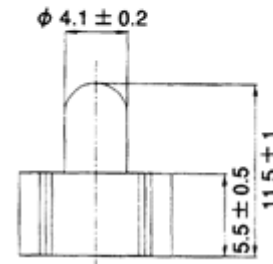
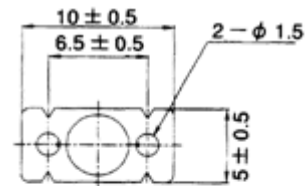


T1 1/4 GT

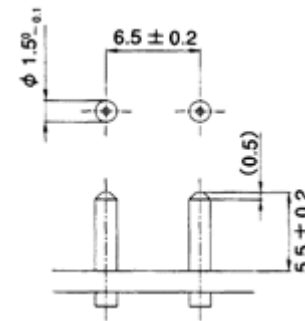
Characteristics					Part Number
Voltage	Current	Wattage	Brightness		GT
(V)	(mA)	(W)	(MSCP)	(Lm)	
5	60	0.30	0.05	0.6	OL-585GT
5	115	0.57	0.15	1.9	OL-518GT
12	40	0.48	0.12	1.5	OL-4032GT
12	60	0.72	0.15	1.9	OL-4106GT
14	40	0.56	0.15	1.9	OL-4240GT
14	67	0.94	0.175	2.2	OL-4222GT
14	80	1.12	0.30	3.8	OL-4030GT
14	100	1.40	0.50	6.3	OL-4186GT
14	115	1.61	0.60	7.5	OL-4389GT
28	40	1.12	0.30	3.8	OL-4009GT

Lamp Design Characteristics

Unit in mm
(inch)



RECOMMENDED MOUNT HOLE



Copyright © 2006 OSHINO LAMPS LIMITED All Rights Reserved.



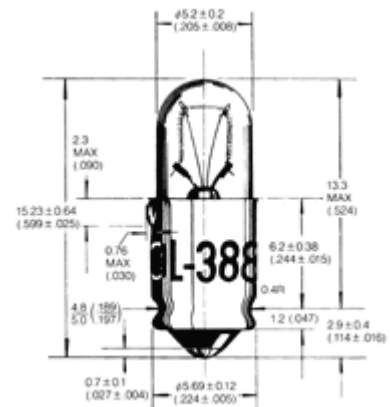
Other Lamps

T-1 3/4 Midget Grooved

Line Nos.	Oshino Lamp Numbers	Design Volts	Design Amps	AVG. MSCd	Filament shape	Life (hours)
1	OL-699	2.5	.20	.20	C-2R	500
2	OL-1079	2.5	.35	.21	C-2R	10,000
3	OL-6039	5.0	.06	.03	C-2R	200,000
4	OL-6041	5.0	.06	.05	C-2R	100,000
5	OL-6043	5.0	.115	.15	C-2R	40,000
6	OL-337	6.0	.20	.34@5V	C-2R	1,000
7	OL-379	6.3	.20	.40	C-2F	50,000
8	OL-398	6.3	.20	.55	C-2R	5,000
9	OL-709	10.0	.014	.004	C-2F	50,000
10	OL-397	10.0	.04	.08	C-2F	5,000
11	OL-6045	12.0	.04	.12	C-2F	10,000
12	OL-6277	12.0	.06	.15	C-2F	16,000
13	OL-386	14.0	.08	.30	C-2F	50,000
14	OL-336	14.0	.08	.50	C-2F	1,500
15	OL-346	18.0	.04	.15	C-2F	10,000
16	OL-457	22.0	.04	.30	C-2F	2,000
17	OL-6047	28.0	.04	.20	C-2F	25,000
18	OL-388	28.0	.04	.30	C-2F	7,000
19	OL-334	28.0	.04	.34	C-2F	4,000
20	OL-334LSV	28.0	.06	.34	C-2F	25,000

Lamp Design Characteristics

Unit in mm
(inch)



Copyright © 2006 OSHINO LAMPS LIMITED All Rights Reserved.



Groupe OSHINO



OSHINO LAMPS FRANCE
 Téléport 4 - ZT Pyrène Aéro Pôle - 65290 JUILLAN
 Tél: +33 (0)5 62 32 63 63 / Fax: +33 (0)5 62 32 63 65
 Email: info@oshino-lamps.fr / Site: www.oshino-lamps.com



FRANCE
200310775

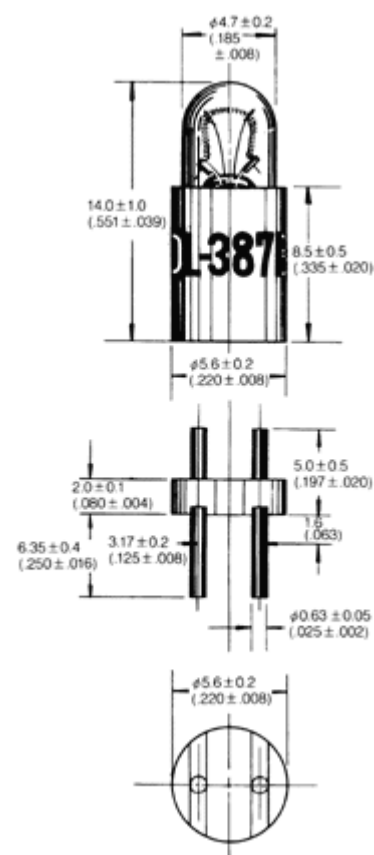
Other Lamps

T-1 3/4 BPR

Line Nos.	Oshino Lamp Numbers	Design Volts	Design Amps	AVG. MSCd	Filament shape	Life (hours)
1	OL-338BPR	2.7	.06	.04	C-2R	6,000
2	OL-375BPR	3.0	.015	.003	C-2R	10,000
3	OL-6030BPR	5.0	.02	.02	C-2V	10,000
4	OL-782BPR	5.0	.06	.03	C-2R	200,000
5	OL-783BPR	5.0	.06	.05	C-2R	100,000
6	OL-6233BPR	5.0	.075	.09	C-2R	40,000
7	OL-815BPR	5.0	.115	.15	C-2R	40,000
8	OL-345BPR	6.0	.04	.04	C-2V	10,000
9	OL-328BPR	6.0	.20	.34@5V	C-2R	1,000
10	OL-377BPR	6.3	.075	.23	C-2R	1,000
11	OL-381BPR	6.3	.20	.40	C-2F	50,000
12	OL-367BPR	10.0	.04	.08	C-2F	5,000
13	OL-394BPR	12.0	.04	.12	C-2F	10,000
14	OL-382BPR	14.0	.08	.30	C-2F	50,000
15	OL-370BPR	18.0	.04	.15	C-2F	10,000
16	OL-385BPR	28.0	.04	.20	C-2F	25,000
17	OL-387BPR	28.0	.04	.30	C-2F	7,000
18	OL-327BPR	28.0	.04	.34	C-2F	4,000
19	OL-6235BPR	32.0	.033	.34	C-2F	10,000

Lamp Design Characteristics

Unit in mm
(inch)



Copyright © 2006 OSHINO LAMPS LIMITED All Rights Reserved.



Groupe OSHINO



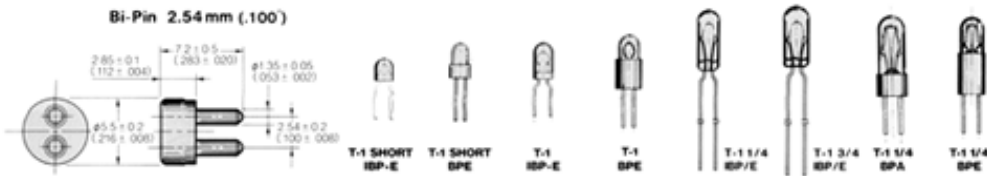
OSHINO LAMPS FRANCE
Téléport 4 - ZT Pyrène Aéro Pôle - 65290 JUILLAN
Tél: +33 (0)5 62 32 63 63 / Fax: +33 (0)5 62 32 63 65
Email: info@oshino-lamps.fr / Site: www.oshino-lamps.com



FRANCE
200310775



OL125-2E



OL125-2P



OSHOINO



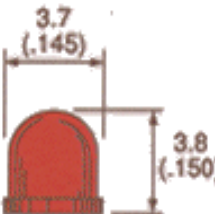
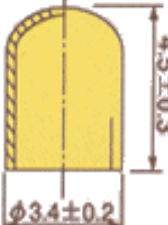
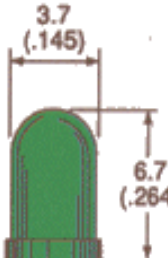
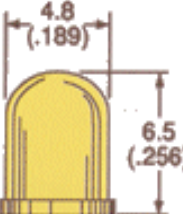
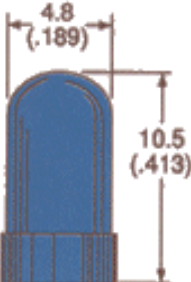
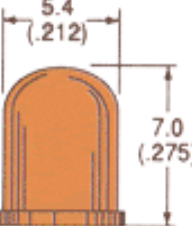
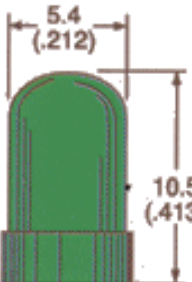

OSHINO LAMPS FRANCE
 Téléport 4 - ZT Pyrène Aéro Pôle - 65290 JUILLAN
 Tél: +33 (0)5 62 32 63 63 / Fax: +33 (0)5 62 32 63 65
 Email: info@oshino-lamps.fr / Site: www.oshino-lamps.com



FRANCE
200310775



CAPUCHONS

C30038	C30045	C30067	C41065
			
T-1SHORT WT,SMF,BP T-1BPC, BPE, GT	T-1NW,GT,SMC	T-1WT T-1BPA	T-1 1/4WT,IBP,MF T-1 1/4BPE,NW T-1 1/4GT
C41105	C47070	C47105	C65094
			
T-1 1/4WT,IBP T-1 1/4BPAW	T-1 1/2NW PBA,PBB,PBC T-1 3/4 WT,IBP,MF T-1 3/4 MS,MB,BP,BPR,BPS	T-1 3/4WT,IBP	T-6.5NWC